

# C-Band Beacon Transmitter



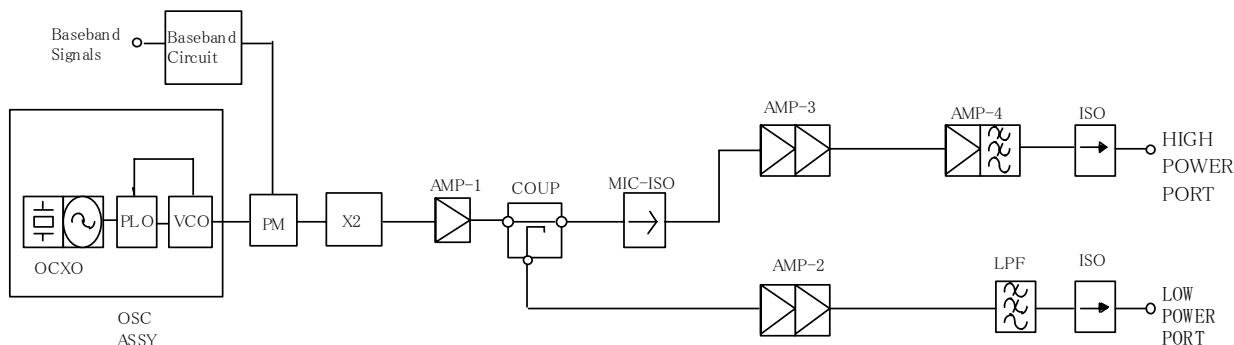
## Features

- Dual Power (37dBm & 20dBm) Output
- High Frequency Stability Using PLL Technology (less than 0.5PPM over AT) with OCXO
- Low Phase Noise Using OCXO
- Phase Modulation To Carry Telemetry Signals Along With Beacon Singal

## Heritage

- GE-1,GE-2, GE-3, Chinastar, ACeS, Whitetail, Echostar104, Telesat, GE-4, Telekom, LMI, GE-6, GE-7, GE-8, GE-9, NewSkies

## Block Diagram



## Performance Summary

<u>Items</u>	<u>Description</u>	<u>Remarks</u>
Operating Frequency Range (GHz)	3.4 - 4.2	Pointing Frequency Signal
Output Power (High Power Mode)	> 37dBm	
Output Power (Low Power Mode)	> 20dBm	
Frequency Stability over AT	< 0.5 PPM	
Frequency Stability over Life	< 2PPM	
Spurious	< -60dBc	
Harmonics	< -73dBc	
Phase Jitter	< 1 deg RMS	
Power Consumption (High Power)	< 26.5W	
Power Consumption (Low Power)	< 6.5W	
Dimension (in mm)	189 x 190 x 89	
Weight	< 2Kg	