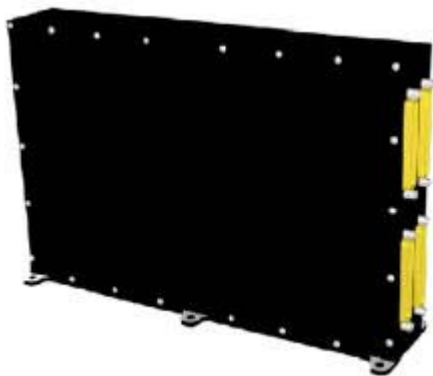


Battery Charge controller for Lithium Ion Battery

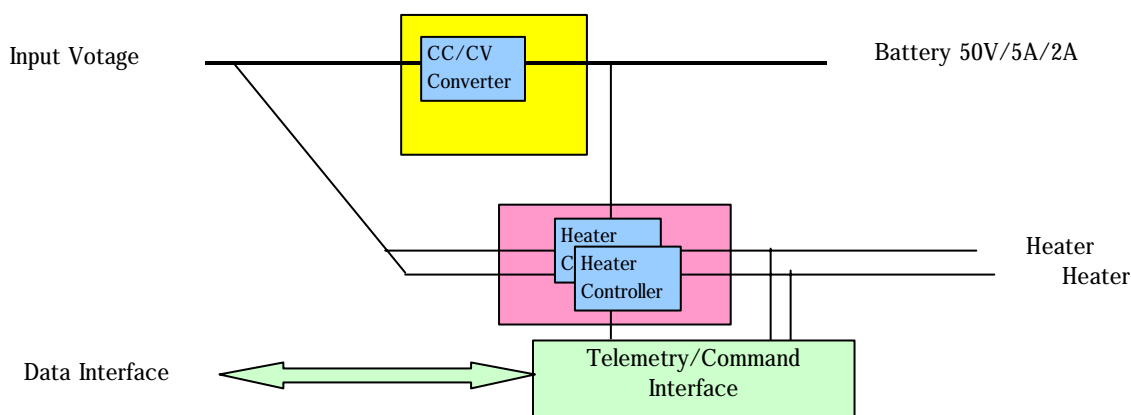
(240W 50V Battery Charger)



Features

- * 50V battery Charger : 12 cells
- * Three Mode charge function(CC5A/2A/CV)
- * Possible to set the charge voltage by command
- * Provide Heater power
- * Serial Data Interface
- * Provide following telemetry
 - Cell Voltage (12ch)
 - Battery/Voltage(1ch)
 - Heater Status
 - Battery Temperature
- * Command list
 - Charge Voltage Rate
 - Heater ON/OFF Command

Block Diagram



Performance Summary

<u>Items</u>	<u>Description</u>	<u>Remarks</u>
* Output power	250W (typical)	
* Input Voltage	20 to 50V(or 50 to 100V)	
* Constant Current(CC)	5 A \pm 2 % , 2A \pm 5%	
* Ripple current	Less than 25mAp-p	
* Constant Voltage(CV)	40 to 50 V \pm 2 %	Settable by command
* Ripple Voltage	Less than 200mVp-p	
* Efficiency	90 %(at maximum operation)	
* Weight	2.8Kg	
* Size	331(w) x 80(d) x 246(h)	