

S-Band Solid State Power Amplifier



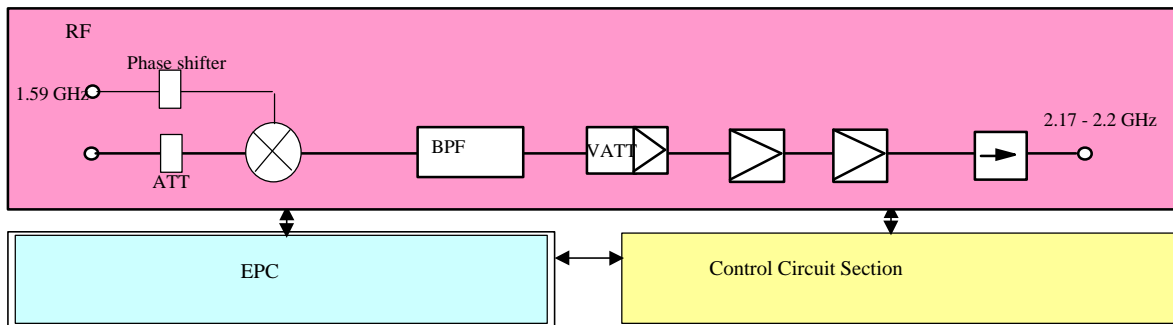
Features

- Active Array Communication Purpose
- Good Phase and Gain Tracking Performance
- P-HEMT MMIC Technology for Mixer and Driver Amplifier
- 560 grams Compact Design

Heritage

- ETS-VIII
- ICO

Block Diagram



Performance Summary

<u>Items</u>	<u>Description</u>	<u>Remarks</u>
Operating Frequency Range	2.17 - 2.20 GHz	
Nominal Gain	70 dB nominal	@multicarrier
Rated Output Power	4.4 to 8.8 Watts	@multicarrier
Overdrive Capability	Up to +5 dBm	
NPR	12 dB minimum	@Rated
Efficiency	27 to 30 %	@multicarrier, NPR=12dB
Phase and Gain Tracking	+/-4 deg and +/-0.4 dB / 10 degC pp	Over daydynamic range
Size	258(L) x 58(D) x 86(H) mm	
Mass	0.56 kg maximum	
Life	12 years	