

# X-Band Low Noise Amplifier



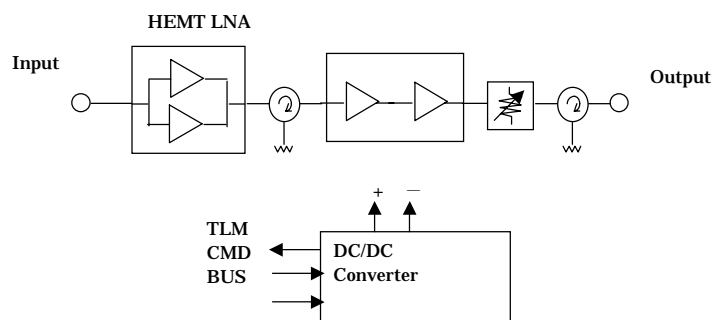
## Features

- Low Noise Figure using in-house Ultra Low Noise HEMT

## Heritage

- Eurasiasat-1

## Block Diagram



## Performance Summary

<u>Items</u>	<u>Description</u>	<u>Remarks</u>
Operating Frequency Band (GHz)	8	
Noise Figure (dB)	1.5	Over temperature
Gain (dB)	31	
Gain Stability (dBp-p)	1.0	Over temperature
Input Power (dBm)	-73 to -28	
C/3IM (dBc)	≥ 72	Pout -23dBm/carrier
Phase Shift (deg.)	≤ 0.1	Pin -73 to -53dBm
Group Delay (ns p-p)	≤ 1.0	Over 100MHz
DC Power Consumption (W)	1.4	
Dimension (mm)	145X119X75	
Mass (kg)	0.42	