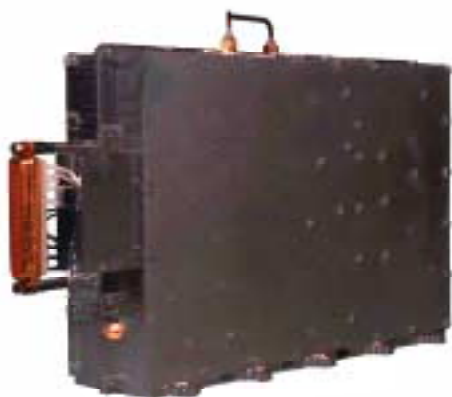


X-Band Receiver



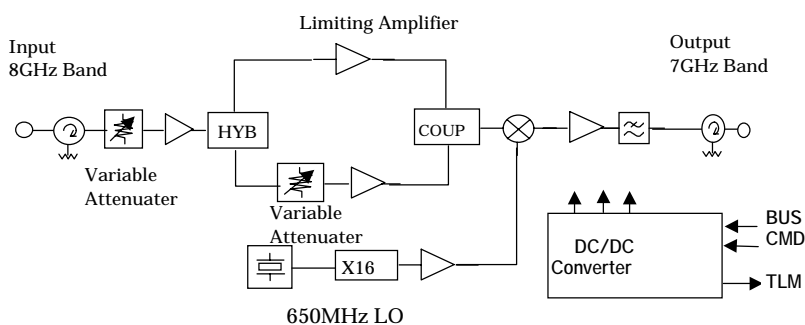
Features

- Commandable Gain for Channel Amplifier function
- Selectable Limiting function for higher input power level
- Tall slim configuration for small foot print

Heritage

- Superbird C
- Superbird 4
- N-SAT-110

Block Diagram



Performance Summary

<u>Items</u>	<u>Description</u>	<u>Remarks</u>
Operating Frequency Band	8GHz	
Input	7GHz	
Output	650 MHz	
Local Frequency	24 to 54dB / 2dB step, -8dB	Commandable at Linear Mode
Gain	≤ 0.4 dB / 38MHz	Lean Mode
Gain Flatness	≤ -24 dBm	Limiting Mode
Input Level	≤ -14 dBm	at Gain=24 dB
Noise Figure	≤ 13 dB	at Gain=24 dB, Pin= -27 dBm/carrier
IM3	≥ 21 dBc	at Gain =54 dB
Group Delay	≤ 0.6 ns p-p	
DC Power	≤ 9.5 W	
Dimension	332 X 203 X 81 (mm)	Foot Print Max.
Mass	≤ 2.2 kg	