

X-Band Receiver



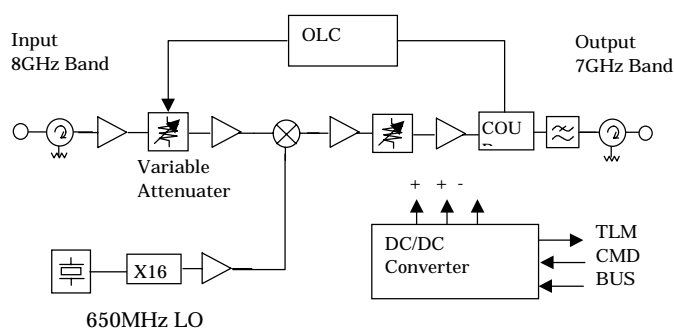
Features

- Linear Mode and Limiting Mode
- Automatic switch to Limiting Mode over maximum linear mode input level

Heritage

- EURASIASAT-1

Block Diagram



Performance Summary

<u>Items</u>	<u>Description</u>	<u>Remarks</u>
Operating Frequency Band		
Input	8GHz	
Output	7GHz	
Local Frequency	650 MHz	
Gain	35 ± 0.8 dB	
Gain Flatness	≤ 1.0 dBp-p	over 100 MHz
Input Level	≤ -35 dBm	Linear Mode
	≤ -10 dBm	Limiting Mode
Noise Figure	≤ 8.3 dB	Linear Mode
IM3	≥ 30 dBc	Pout= -3 dBm/carrier
Group Delay	≤ 1.0 ns p-p	over 100 MHz
DC Power	≤ 7.4 W	
Dimension	X X (mm)	
Mass	≤ 2.2 kg	